



These adapters provide a commonly accepted industry method of attaching fixtures to load cells and test frames. They prevent grip rotation and allow for quick removal and installation.

Several thread sizes and variations are available to suit most common test frames, load cells, grips, and force gauges. Eye ends and adapters are available individually or as kits.

◀ Eye end adapter is shown with a wedge grip and motorized test stand.

Load Cell / Test Frame Configuration

Force Gauge Configuration

Base / Load Cell Adapter Kits

AC1047	AC1047-1	AC1047-2	AC1047-3	Item No.	Part No.	Qty.
X				2	G1081	1
	X			2	G1081-1	1
		X		2	G1081-2	1
			X	2	G1081-3	1
X	X	X	X	3	G1080	1
X	X	X	X	1	G1079	2



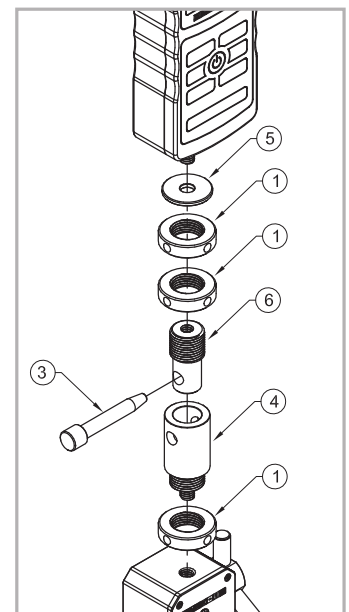
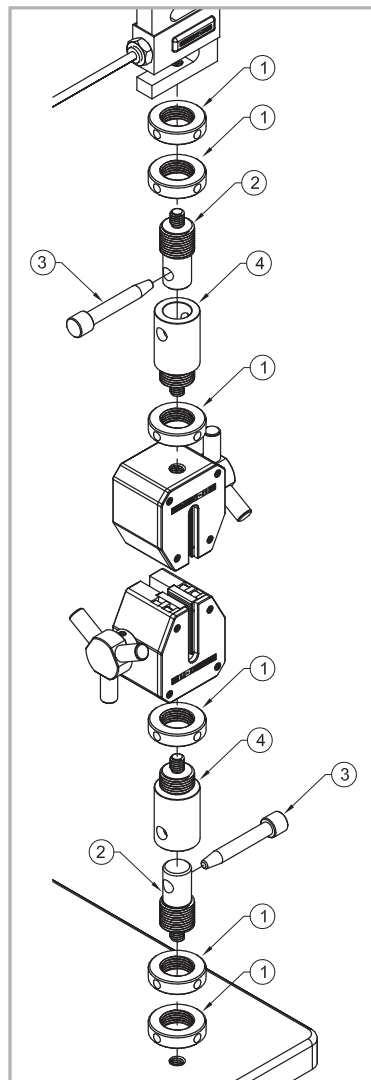
Grip Adapter Kits

AC1046	AC1046-1	AC1046-2	Item No.	Part No.	Qty.
X			4	G1083	1
	X		4	G1083-1	1
		X	4	G1083-2	1
X	X	X	1	G1079	1



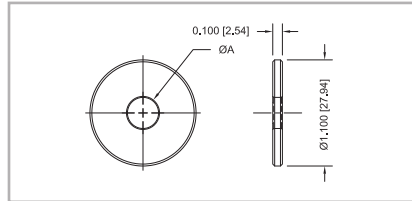
Force Gauge Adapter Kits

AC1045	AC1045-1	AC1045-2	Item No.	Part No.	Qty.
X			6	G1082	1
		X	2	G1081-2	1
	X		6	G1082-1	1
X			5	G1084	1
	X		5	G1084-1	1
X	X	X	1	G1079	2
X	X	X	3	G1080	1
		X	5	G1084-2	1



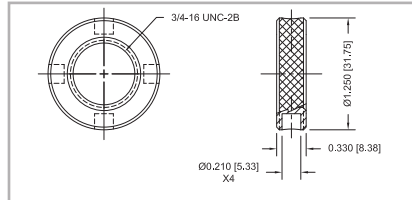
Item No.	Part No.	Description
1	G1079	Lock ring, 3/4-16
2	G1081	Eye end, #10-32M
	G1081-1	Eye end, 5/16-18M
	G1081-2	Eye end, 1/2-20M
3	G1080	Anchor pin
	G1083	Eye end adapter, #10-32M
	G1083-1	Eye end adapter, 5/16-18M
4	G1083-2	Eye end adapter, 1/2-20M
	G1084	Washer, 0.20 ID
	G1084-1	Washer, 0.32 ID
5	G1084-2	Washer, 0.51 ID
	G1082	Eye end, #10-32F
	G1082-1	Eye end, 5/16-18F
Not shown	G1088	Spanner wrench (see next page)

G1084-X Jam Washers



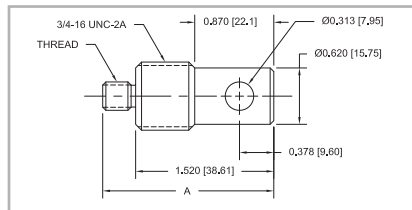
Part No.	ØA	Weight lb [kg]
G1084	0.20 [5.1]	0.03 [0.01]
G1084-1	0.32 [8.2]	0.03 [0.01]
G1084-2	0.51 [12.9]	0.03 [0.01]

G1079 Lock Ring



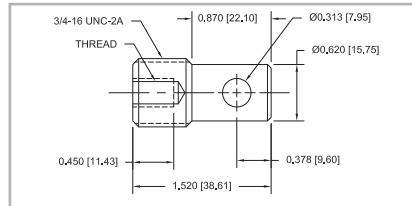
Weight lb [kg]
0.07 [0.03]

G1081-X Eye Ends



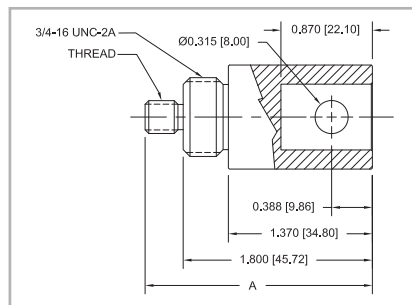
Part No.	A	Thread	Weight lb [kg]	Capacity lbF [N]
G1081	1.82 [46.2]	#10-32	0.13 [0.06]	200 [1,000]
G1081-3	1.87 [47.5]	1/4-28	0.13 [0.06]	200 [1,000]
G1081-1	1.88 [47.8]	5/16-18	0.14 [0.06]	500 [2,500]
G1081-2	2.02 [51.3]	1/2-20	0.15 [0.07]	2,000 [10,000]

G1082-X Eye Ends



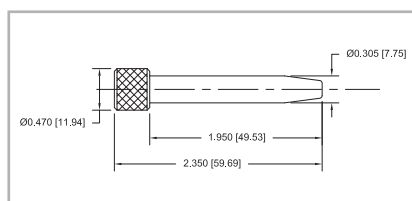
Part No.	Thread	Weight lb [kg]	Capacity lbF [N]
G1082	#10-32	0.13 [0.06]	200 [1,000]
G1082-1	5/16-18	0.14 [0.05]	500 [2,500]

G1083-X Eye Ends



Part No.	A	Thread	Weight lb [kg]	Capacity lbF [N]
G1083	2.10 [53.3]	#10-32	0.26 [0.12]	200 [1,000]
G1083-1	2.16 [54.9]	5/16-18	0.26 [0.12]	500 [2,500]
G1083-2	2.30 [58.4]	1/2-20	0.28 [0.13]	2,000 [10,000]

G1080 Anchor Pin



Weight lb [kg]
0.06 [0.03]

G1088 Spanner Wrench

