

The first electronic quicktest with  $\mu\text{m}$  resolution and induction charging technology! New design and optimized ergonomics.

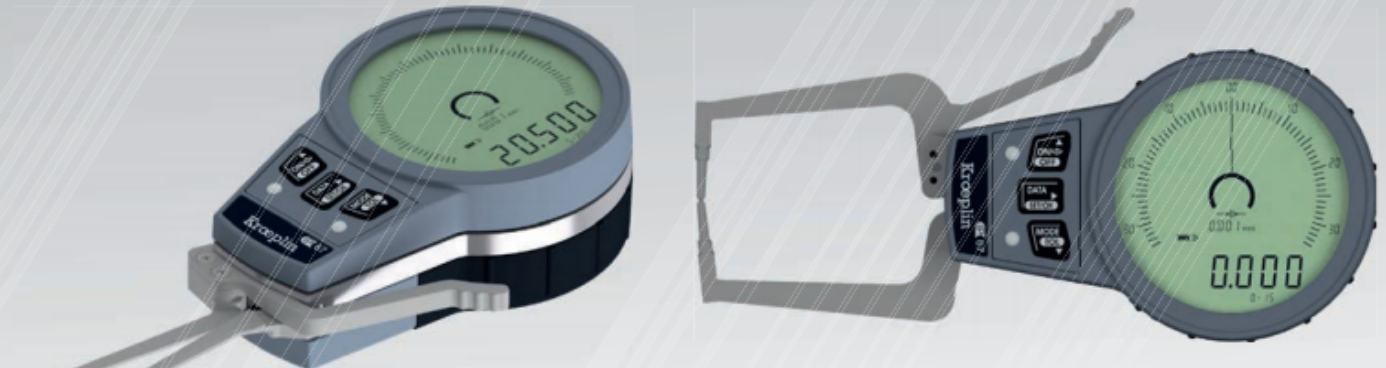
### Fast reading

### Accurate measurement

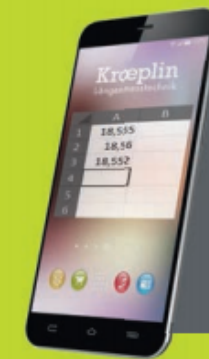
### Precise measuring results

- Quickest in smallest design
- Numerical interval  
0,001/0,002/0,005/0,01 mm
- Lower weight
- Enhanced analog display for optimum reading:
  - 250° analog display range
  - long analog indicator
- LiPo battery with induction charging technology!  
Battery change is no longer required!

- Suitable for use with tablet computers and smartphones
- No additional software necessary
- Measuring programs for different applications  
MIN/MAX/HOLD
- Absolute and relative measurement
- Bluetooth interface (up to 8 gauges simultaneously)
- USB and Digimatic interface
- Compatible to U-Wave®, Elias, BOBE, IBR
- 20 % larger data logger (100 measuring values)
- Adjustable tolerance range
- Suitable for workshop use
- Protection class IP67
- mm/inch switch



**חדש!!!** מכשירי קרופלין עם קריאה של 1 מיקרון 0.001 מ"מ

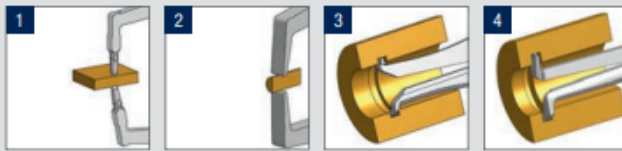


Can be connected to any device using Bluetooth.

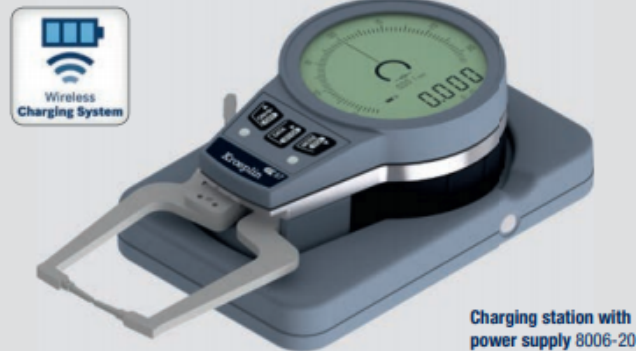
WITH  **Bluetooth**  
SMART

Type	Measuring span Mes [mm]	Measuring range Meb [mm]	Range of indication Azb [mm]	Numerical interval Zw [mm]	Permissible errors G [mm]	Repeatability limit r [mm]	Measuring force min. [N]	Measuring force max. [N]	Weight [g]	Protection class	Measuring contact movable Hb [mm]	Measuring contact fixed Hf [mm]	Type of measuring contact [mm]	Groove depth A max. [mm]	Groove width B min. [mm]	Measuring depth L max. [mm]	Picture	Accessories and scope of supply
C015	15	0–15	0–15.5	0.001	0.010	0.005	1.3	1.5	170	IP67	17	17	Ball Ø 1.5	15	2.5	45	[1]	Accessories: Wooden box [1732-38] available on request
C015S	15	0–15	0–15.5	0.001	0.015	0.005	1.3	1.5	170	IP67	12	12	Chisel R0.4	11	1.5	45	[2]	
G002	10	2.5–12.5	2.4–12.8	0.001	0.010	0.005	0.8	1.3	160	IP67	0.9	0.9	Chisel R0.12	0.7	0.6	12	[3]	Scope of supply: Certificate of quality Operating instructions
G005	15	5–20	4.7–20.3	0.001	0.010	0.005	0.8	1.3	160	IP67	2.2	2.2	Ball Ø0.6	2.2	0.8	44	[4]	
G010	15	10–25	9.7–25.3	0.001	0.010	0.005	0.8	1.3	160	IP67	4.4	4.4	Ball Ø1	4	1.5	46	[4]	

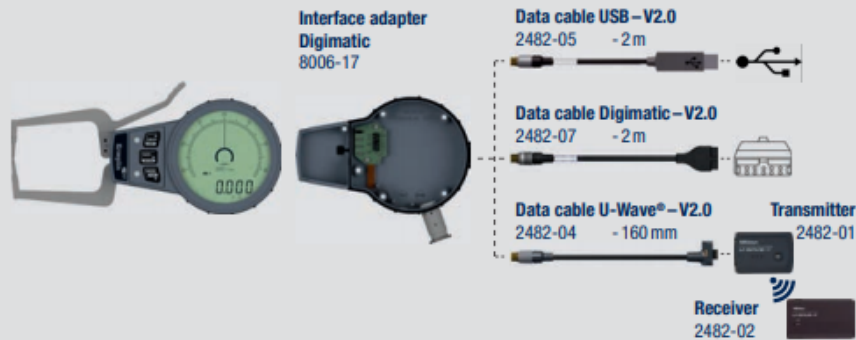
## Measuring contacts



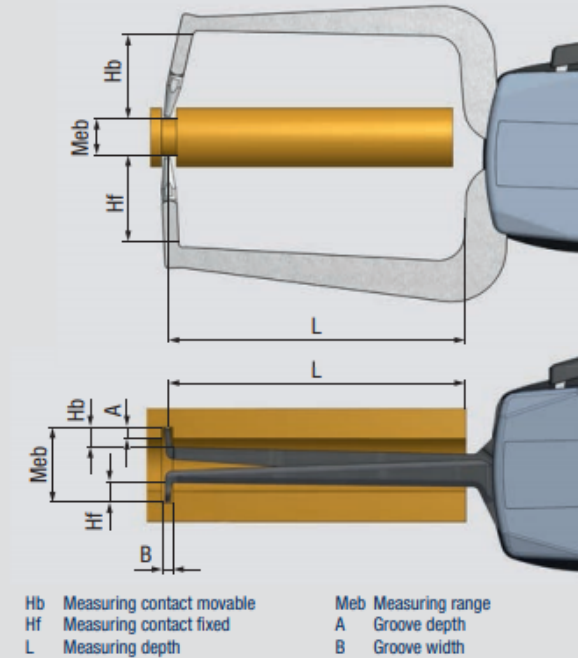
## Wireless charging



## Interfaces



## Measuring capacity



The electronic quickest in modern design  
and optimized ergonomics.



Kroepelin  
Längenmesstechnik

Fast reading

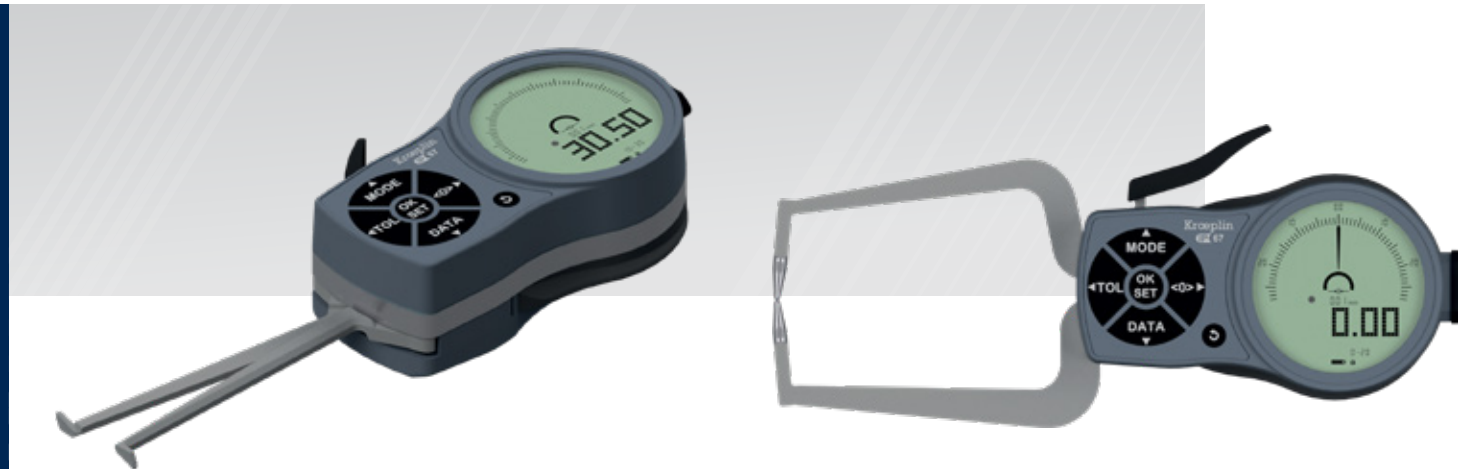
Interactive keypad

More intuitive navigation

Less power consumption

- Quickest in handy size
- Interactive keypad with touchsurface and vibration feedback for easier operation
- Smaller & more adjustable numerical intervals 0,001 / 0,002 / 0,005 / 0,01 / 0,02 / 0,05 mm
- Enhanced analog display for optimum reading:
  - 250° analog display range
  - long analog indicator

- Suitable for use with tablet computers and smartphones
- No additional software necessary
- Measuring programs for different applications MIN / MAX / HOLD
- Absolute and relative measurement
- Bluetooth interface (up to 8 gauges simultaneously)
- USB and Digimatic interface
- Compatible to U-Wave®, Elias, BOBE, IBR
- 20% larger data logger (100 measuring values)
- Adjustable tolerance range
- Suitable for workshop use
- Protection class IP67
- mm/inch switch
- Internal gauges are also available with 3-point contacts



**חדש!!! מכשירים עם צג מחוג וספרתי יחד**



Can be connected  
to any device using  
Bluetooth.

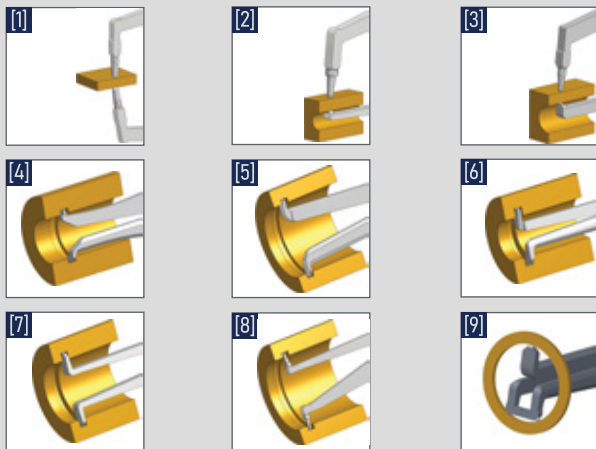
WITH Bluetooth  
SMART



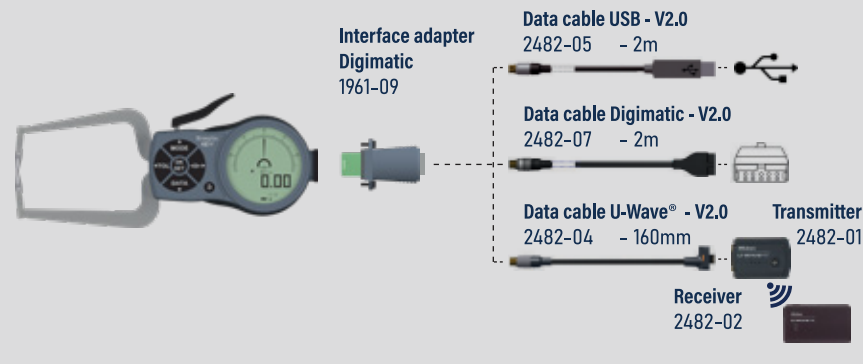
Type	Measuring span Mes [mm]	Measuring range Meb [mm]	Range of indication AzB [mm]	Numerical interval Zw [mm]	Permissible errors G [mm]	Repeatability limit r [mm]	Measuring force min. [N]	Measuring force max. [N]	Weight [g]	Protection class	Measuring contact movable Hb [mm]	Measuring contact fixed Hf [mm]	Type of measuring contact [mm]	Groove depth A max. [mm]	Groove width B min. [mm]	Measuring depth L max. [mm]	Picture	Accessories and scope of supply
K110	10	0-10	0-10,5	0,005	0,015	0,005	1,2	1,6	260	IP67	19,1	18,6	Ball Ø 1.5			35	[1]	Accessories: Wooden box [1732-65] available on request.  Scope of supply: Certificate of quality Operating instructions 2x battery type AAA
K1R10	10	0-10	0-10,5	0,005	0,015	0,005	0,8	1,2	255	IP67	19,1	0,9	Ball Ø 1.5			35	[2]	
K220	20	0-20	0-20,5	0,01	0,03	0,01	1,1	1,6	300	IP67	24,7	24,6	Ball Ø 1.5			85	[1]	
K2R20	20	0-20	0-20,5	0,01	0,03	0,01	1,1	1,6	290	IP67	24,7	2,5	Ball Ø 1.5			80	[3]	
L102	10	2,5-12,5	2,4-12,8	0,005	0,015	0,005	0,8	1,2	245	IP67	0,9	0,9	Chisel R 0.1	0,7	0,4	12	[4]	
L105	10	5-15	4,7-15,3	0,005	0,015	0,005	0,8	1,2	250	IP67	2,5	2,5	Ball Ø 0.6	2,2	0,8	35	[5]	
L210	20	10-30	9,5-30,5	0,01	0,03	0,01	1,1	1,6	270	IP67	5,3	5,3	Ball Ø 1	5,0	1,7	85	[6]	
L220	20	20-40	19,5-40,5	0,01	0,03	0,01	1,1	1,6	270	IP67	7,3	7,3	Ball Ø 1	6,8	1,7	85	[7]	
L230	20	30-50	29,5-50,5	0,01	0,03	0,01	1,1	1,6	275	IP67	7,3	7,3	Ball Ø 1	6,8	1,7	85	[7]	
L240	20	40-60	39,5-60,5	0,01	0,03	0,01	1,1	1,6	285	IP67	8,5	8,5	Ball Ø 1	8,3	1,7	85	[8]	
L210P3	10	10-20	9,8-20,5	0,005	0,02	0,01	1,1	1,6	270	IP67	4,6	-	Ball Ø 1	3,5	1,7	75	[9]	
L215P3	15	15-30	14,5-30,5	0,005	0,02	0,01	1,1	1,6	295	IP67	5,8	-	Ball Ø 1	5,0	1,5	75	[9]	

The complete range is available on our website [www.kroeplin.com](http://www.kroeplin.com)

## Measuring contacts



## Interfaces

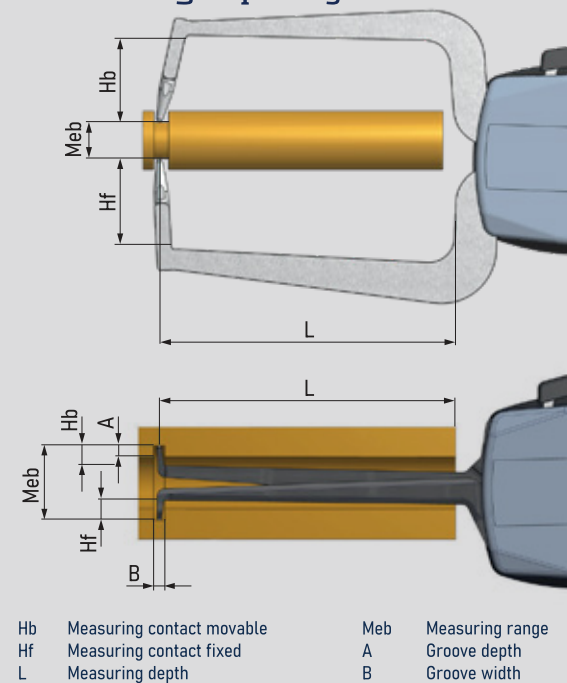


Also in combination with smartphone and tablet!

USB-Bluetooth-V4.0-dongle included!  
0682-60

Simultaneous connection of up to 8 gauges possible

## Measuring capacity



Hb Measuring contact movable  
Hf Measuring contact fixed  
L Measuring depth

Meb Measuring range  
A Groove depth  
B Groove width

## Accessories

Holder  
8007-10



Wooden box  
1732-65

