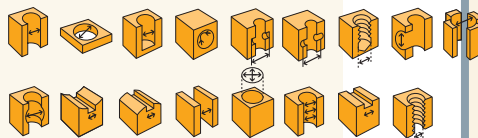


OSIMESS Precision Bore Gauge

OS/OSH/OSS

for small diameters
from 1,0 - 20 mm



SERIES 625-628

STANDARD DESIGN OS COMPLETE SETS

Delivery: hardchromed design, wedge-shaped meas. needle generally tungsten carbide; holder of your choice, in wooden box, w/o setting rings, w/o dial gauge. Separate probes see pages 19 and 20

OSIMESS OS

Application range [mm]		no. of probes	Holder w/o retraction	Holder with retraction
nominal range	effective range			
1,0 - 1,4	0,95 - 1,55	5	627 00400	627 00401
1,75 - 4,0	1,5 - 4,2	10	627 00402	627 00403
1,0 - 4,0	0,95 - 4,2	15	627 00404	627 00405
4,5 - 7,5	4,15 - 7,8	7	627 00200	627 00201
8,0 - 12,0	7,7 - 12,5	6	627 00300	627 00301
4,5 - 12,0	4,15 - 12,5	13	627 00000	627 00001
13,0 - 20,0	12,2 - 20,6	8	628 00000	628 00001



OSIMESS - probes overall view

DESIGN OSH COMPLETE SETS

As described for OS, but with tungsten carbide tipped probes

OSIMESS OSH

Application range [mm]		no. of probes	Holder w/o retraction	Holder with retraction
nominal range	effective range			
1,0 - 1,4	0,95 - 1,55	5	626 00200	626 00201
1,75 - 4,0	1,5 - 4,2	10	626 00202	626 00203
1,0 - 4,0	0,95 - 4,2	15	626 00000	626 00001
4,5 - 7,5	4,15 - 7,8	7	627 00202	627 00203
8,0 - 12,0	7,7 - 12,5	6	627 00302	627 00303
4,5 - 12,0	4,15 - 12,5	13	627 00004	627 00005
13,0 - 20,0	12,2 - 20,6	8	628 00004	628 00005



OSIMESS probe
blind bore design OSS (top)
OSIMESS probe
standard design OS (bottom)

DESIGN OSS COMPLETE SETS

As described for OS, but with probes for blind bores from \varnothing 1,75 mm.

OSIMESS OSS

Application range [mm]		no. of probes	Holder with retraction
nominal range	effective range		
1,75 - 4,0	1,5 - 4,2	10	626 00003
4,5 - 7,5	4,15 - 7,8	7	627 00204
8,0 - 12,0	7,7 - 12,5	6	627 00304
4,5 - 12,0	4,15 - 12,5	13	627 00003
13,0 - 20,0	12,2 - 20,6	8	628 00003



OSIMESS in wooden box

OSIMESS Precision Bore Gauge

OS

SERIES 625-628

OSIMESS-HOLDER

Holder with retraction especially recommended for probes up to 4 mm, for blind bores probes and for the max. protection of the probes.

OSIMESS-HOLDER

Design	Art.-No.
Holder w/o retraction for 1,0 - 20,0 mm	625 00009
Holder with retraction for 1,0 - 20,0 mm	626 00010

SETTING RINGS

Set	Quantity	Art.-No.
1,0 - 1,4	5	626 00204
1,75 - 4,0	10	626 00205
1,0 - 4,0	15	626 00004
4,5 - 7,5	7	627 00205
8,0 - 12,0	6	627 00305
4,5 - 12,0	13	627 00006
13,0 - 20,0	8	628 00006

ACCESSORIES

	Meas. range [mm]	Art.-No.
Clamp with depth stop	1,0 - 4,0	626 00005
	4,5 - 9,0	627 00007
	10,0 - 20,0	628 00007
Angle piece 90°	1,0 - 20,0	625 00008
Measuring depth extension from Ø 10 mm	50 mm long	625 00101
	100 mm long	626 00102
	250 mm long	627 00103

OS-probe with special length for Ø < 10 mm on inquiry

OSIMESS-Spare parts

PROBES 1,0 - 4,0 MM

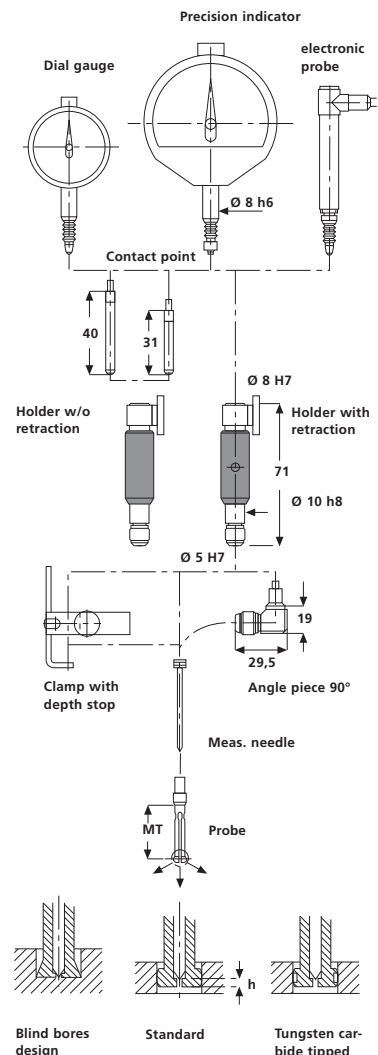
Nom.dim. [mm]	Meas. range [mm]	Probe OS Art.-No.	Probe OSH Art.-No.	Probe OSS Art.-No.	Setting ring Art.-No.
1,0	0,95 - 1,15	626 00078	626 00012	-	626 00052
1,1	1,07 - 1,25	626 00079	626 00013	-	626 00053
1,2	1,17 - 1,35	626 00080	626 00014	-	626 00054
1,3	1,27 - 1,45	626 00081	626 00015	-	626 00055
1,4	1,37 - 1,55	626 00082	626 00016	-	626 00056
1,75	1,50 - 1,90	626 00083	626 00017	626 00042	626 00057
2,0	1,80 - 2,20	626 00084	626 00018	626 00043	626 00058
2,25	2,05 - 2,45	626 00085	626 00019	626 00044	626 00059
2,5	2,30 - 2,70	626 00086	626 00020	626 00045	626 00060
2,75	2,55 - 2,95	626 00087	626 00021	626 00046	626 00061
3,0	2,80 - 3,20	626 00088	626 00022	626 00047	626 00062
3,25	3,05 - 3,45	626 00089	626 00023	626 00048	626 00063
3,5	3,30 - 3,70	626 00090	626 00024	626 00049	626 00064
3,75	3,55 - 3,95	626 00091	626 00025	626 00050	626 00065
4,0	3,80 - 4,20	626 00092	626 00026	626 00051	626 00066

MEASURING NEEDLES

Measuring needles OS/OSH/OSS from Ø 1,75 mm	Art.-No.
1,0 - 1,4	626 00067
1,75 - 2,25	626 00068
2,5 - 4,0	626 00069
Wooden box for OS + OSH and OSS 1,0 - 4,0	626 00072



Angle piece 90° with OSIMESS-holder



Assembly OSIMESS system

Inspection Certificates for SCHWENK measuring instruments see p.32

OSIMESS Precision Bore Gauge

OS

SERIES 625-628

PROBES 4,5-9,0 MM

Nom. dim. [mm]	Meas. range [mm]	Probe OS Art.-No.	Probe OSH Art.-No.	Probe OSS Art.-No.	Setting ring Art.-No.
4,5	4,15 - 4,80	627 00015	627 00063	627 00047	627 00079
5,0	4,70 - 5,30	627 00016	627 00064	627 00048	627 00080
5,5	5,20 - 5,80	627 00017	627 00065	627 00049	627 00081
6,0	5,70 - 6,30	627 00018	627 00066	627 00050	627 00082
6,5	6,20 - 6,80	627 00019	627 00067	627 00051	627 00083
7,0	6,70 - 7,30	627 00020	627 00068	627 00052	627 00084
7,5	7,20 - 7,80	627 00021	627 00069	627 00053	627 00085
8,0	7,70 - 8,30	627 00022	627 00070	627 00054	627 00086
8,5	8,20 - 8,80	627 00023	627 00071	627 00055	627 00087
9,0	8,70 - 9,30	627 00024	627 00072	627 00056	627 00088

MEASURING NEEDLES

	Art.-No.
4,5 - 9 mm OS - OSH	627 00095
4,5 - 9 mm OSS	627 00096
Wooden box OS - OSH - OSS 4,5 - 12,0	627 00097

PROBES 10,0-20,0 MM

Nom. dim. [mm]	Meas. range [mm]	Probe OS Art.-No.	Probe OSH Art.-No.	Probe OSS Art.-No.	Setting ring Art.-No.
10	9,2 - 10,5	627 00106	627 00112	627 00109	627 00090
11	10,2 - 11,5	627 00107	627 00113	627 00110	627 00092
12	11,2 - 12,5	627 00108	627 00114	627 00111	627 00094
13	12,2 - 13,5	628 00015	628 00039	628 00031	628 00047
14	13,4 - 14,7	628 00016	628 00040	628 00032	628 00048
15	14,4 - 15,7	628 00017	628 00041	628 00033	628 00049
16	15,4 - 16,7	628 00018	628 00042	628 00034	628 00050
17	16,4 - 17,7	628 00019	628 00043	628 00035	628 00051
18	17,4 - 18,7	628 00020	628 00044	628 00036	628 00052
19	18,4 - 19,7	628 00021	628 00045	628 00037	628 00053
20	19,4 - 20,7	628 00022	628 00046	628 00038	628 00054
> 20 - 40	Standard and for blind bores on inquiry				

MEASURING NEEDLES

	Art.-No.
10 - 20 OS - OSH	628 00055
10 - 20 OSS	628 00056
Wooden box OS - OSH - OSS 13,0 - 20,0	628 00057

SPECIAL PROBES OSF FOR MEASURING GROOVES AND RECESSES

Examples:

- OSF for plane-parallel distances, e.g. keyways
- OSR convex for radial grooves, OSR concave for wood ruff keys
- OSB for axial or special grooves

Please let us know the exact nominal dimension w. tolerance with your order. For OSR/ OSB please indicate additionally the radius.

Example:

Special probe OSF No. 626 00035 3,0 H7
 Probe OSF No. 626 00035 3 +0,15 / -0,01mm

OSIMESS OSF

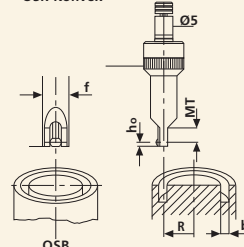
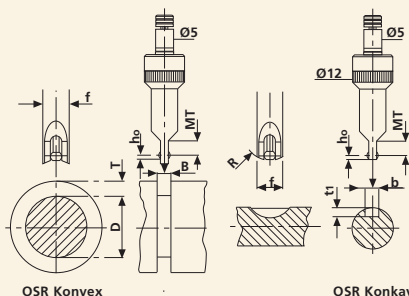
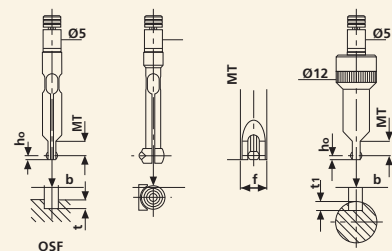
Special probe OSF with nominal dimension [mm] between	Probe Art.-No.	Meas. needle Art.-No.
1,0 - 1,4	626 00027	626 00067
1,75 - 2,25	626 00032	626 00068
2,5 - 4,0	626 00035	626 00069
4,5 - 9,0	627 00031	627 00105
10,0 - 20,0	627 00042	628 00064



Standard OSIMESS probe OS



Special probe OSF for keyway



Special probes OSIMESS OSF

Measuring Stand OSM

OSM 5

for the series control of
small workpieces

MEASURING STAND OSM 5 MEASURING STAND OSM 6

Height continuously adjustable up to 250 mm, max. working stroke 90 mm. With depth meas. device and clamping device for second indicating unit. Can also be used in combination with SUBITO® or plug gauges OD or similar bore gauges as well as for depth and thickness measurements (as an option). Delivery w/o dial gauge.

Height continuously adjustable up to 130 mm. Working stroke of the table max. 40 mm, suitable for workpieces up to 144 mm.

MEASURING STAND

Model	Art.-No.
OSM 5	629 00015
OSM 6	629 00016

ACCESSORIES OSM 5

Designation	Art.-No.
<i>Floating workpiece support for self-alignment of small workpieces</i>	629 00001
<i>Floating gauge block holder to ease the exact setting with gauge blocks from 1 - 20 mm</i>	629 00002
<i>Floating holder with clamping shaft, for integrating the OSIMESS holder or OD holder or for the use in fixtures</i>	629 00003
<i>Measuring travel limitation for OSIMESS holder w. retraction</i>	629 00011

SERIES 629



Measuring stand OSM 5
with OSIMESS probe



Measuring stand OSM 6

