

Digital Dial Gauge MD 12 T

Digital Dial Gauge FMD 12 T

The digital display with its large numerals makes it very simple to use this Dial Gauge. Function and display section can be rotated through 270°. The sturdy construction guarantees precision and reliability.

Following functions of the Digital Dial Gauges MD 12 T and FMD 12 T can be used:

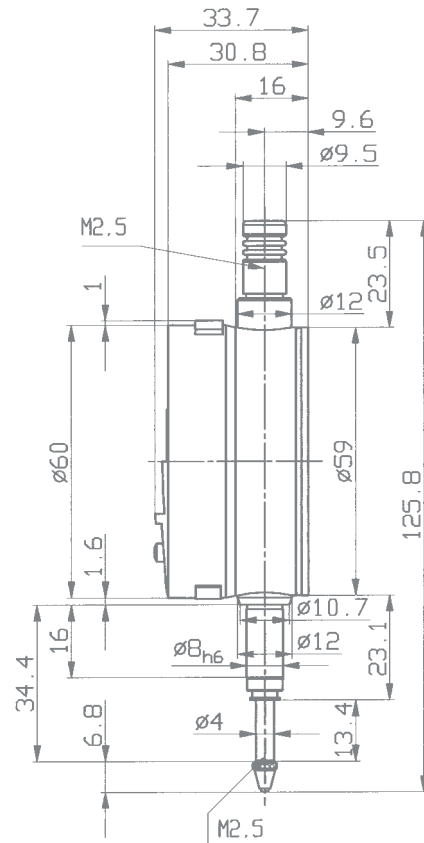
- Zero setting
- mm/inch selection
- Memory set Hold
- Data transmission
- Ref I / Ref II
- Preset value recall
- Selection of measuring direction
- Selection of reading (only FMD 12 T)
- Data request by any ASCII Code

Digital Dial Gauge MD 12 T	
Resolution	0.01 mm / .0005"
Range	12.5 mm / .5"
Digital display LCD, height of digits	8.5 mm
Measuring system	inductive
Power supply	on Lithium battery 3 V
Battery life	3000 h
Output	RS 232, optoelectronic / USB
Working temperature	+5 °C – +40 °C
Maximum error	10 µm / .0004" ± 1 Digit
Dimensioned drawing	page 80

Digital Dial Gauge FMD 12 T	
Resolution	0.001 mm / .00005"
Range	12.5 mm / .5"
Digital display LCD, height of digits	8.5 mm
Measuring system	inductive
Power supply	on Lithium battery 3 V
Battery life	3000 h
Output	RS 232, optoelectronic / USB
Working temperature	+5 °C – +40 °C
Maximum error	5 µm / .0002"
Dimensioned drawing	page 80



Model shown: MD 12 T



Digital Dial Gauge MD 25 T

Digital Dial Gauge FMD 25 T

The digital display with its large numerals makes it very simple to use this Dial Gauge. Function and display section can be rotated through 270°. The sturdy construction guarantees precision and reliability.

Following functions of the Digital Dial Gauges MD 25 T and FMD 25 T can be used:

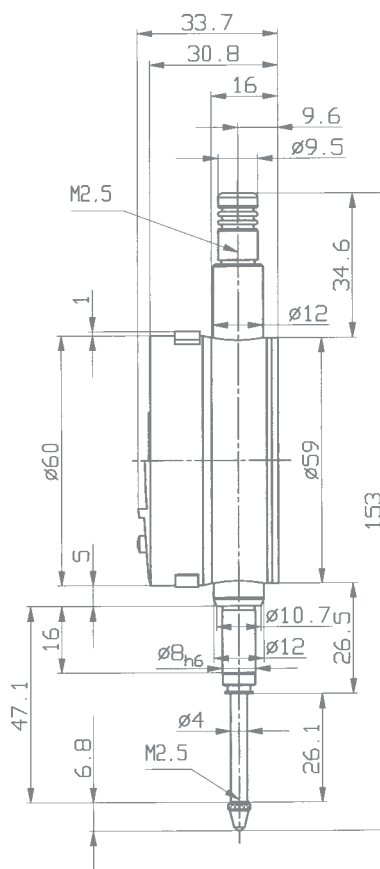
- Zero setting
- mm/inch selection
- Memory set Hold
- Data transmission
- Ref I / Ref II
- Preset value recall
- Selection of measuring direction
- Selection of reading (only FMD 25 T)
- Data request by any ASCII Code

Digital Dial Gauge MD 25 T	
Resolution	0.01 mm / .0005"
Range	25 mm / 1"
Digital display LCD, height of digits	8.5 mm
Measuring system	inductive
Power supply	on Lithium battery 3 V
Battery life	3000 h
Output	RS 232, optoelectronic / USB
Working temperature	+5 °C – +40 °C
Maximum error	10 µm / .0004" ± 1 Digit
Dimensioned drawing	page 81

Digital Dial Gauge FMD 25 T	
Resolution	0.001 mm / .00005"
Range	25 mm / 1"
Digital display LCD, height of digits	8.5 mm
Measuring system	inductive
Power supply	on Lithium battery 3 V
Battery life	3000 h
Output	RS 232, optoelectronic / USB
Working temperature	+5 °C – +40 °C
Maximum error	5 µm / .0002"
Dimensioned drawing	page 81



Model shown: FMD 25 T



Small Digital Dial Gauge KMD 12 T

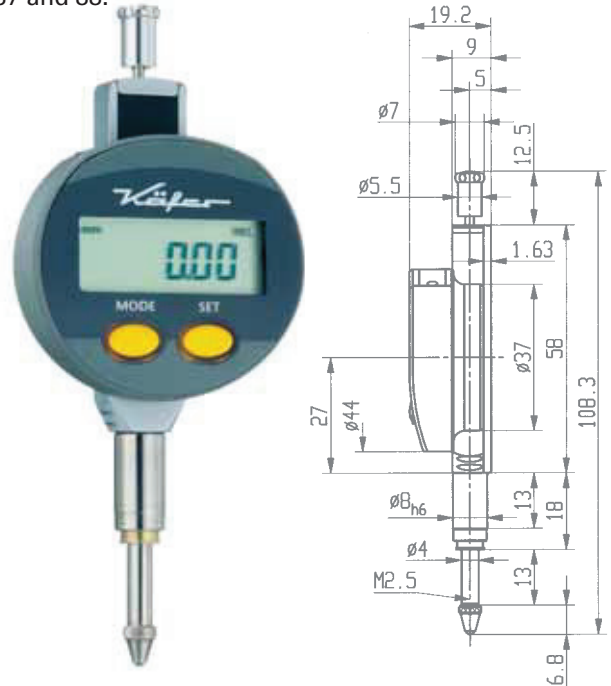
Following functions of the Small Digital Dial Gauge KMD 12 T can be used:

- Zero setting
- mm/inch selection
- Absolute / relative mode
- Preset value recall
- Data transmission
- Selection of measuring direction

Small Digital Dial Gauge KMD 12 T

Resolution	0.01 mm/.0005"
Range	12.5 mm/.5"
Digital display LCD, height of digits	6 mm
Measuring system	inductive
Power supply	on Lithium battery 3 V
Battery life	5000 h
Output	RS 232, with external power supply / USB
Working temperature	+5 °C – +40 °C
Maximum error	10 µm / .0004" ± 1 Digit
Dimensioned drawing	page 82

The dovetail at the rear offers an additional fixing option. The standard contact point can be exchanged for specially styled contact points as listed on pages 87 and 88.



Summary of important technical data of other Digital Dial Gauges and accessories

Digital Dial Gauges	Resolution	Range	Bezel-Ø	Stem-Ø	Maximum error	Data cable	Special feature
KMD 5 R	0.01 mm	5 mm	44 mm	8 h 6	10 µm ± 1 Digit	DCKMD 232/DCKMD USB	back plunger
KMD 12 T wa	0.01 mm	12.5 mm	44 mm	8 h 6	10 µm ± 1 Digit	DCKMD 232/DCKMD USB	water protected
FKMD 5 R	0.001 mm	5 mm	44 mm	8 h 6	5 µm	DCKMD 232/DCKMD USB	back plunger
FKMD 12 T	0.001 mm	12.5 mm	44 mm	8 h 6	5 µm	DCKMD 232/DCKMD USB	
MD 50 T	0.01 mm	50 mm	60 mm	8 h 6	20 µm ± 1 Digit	DCMD 232/DCMD USB	
FMD 50 T	0.001 mm	50 mm	60 mm	8 h 6	7 µm	DCMD 232/DCMD USB	
MD 100 T	0.01 mm	100 mm	60 mm	8 h 6	20 µm ± 1 Digit	DCMD 232/DCMD USB	
FMD 100 T	0.001 mm	100 mm	60 mm	8 h 6	8 µm	DCMD 232/DCMD USB	
DK 30	0.001 mm	0.8 mm	44 mm	-	10 µm	DCKMD 232/DCKMD USB	model lever type

Accessories	Model	Technical features	Suitable for model
Data cable	DCMV 232	2m long, SUB-D jack 9-pin	MDMV 12 T
Data cable	DCMV DIGIMATIC	2m long, flat connector 10-pin	MDMV 12 T
Data cable	DCMD 232	Max. 15 m, standard 2m long, SUB-D jack 9-pin/F	MD 12 T, MD 25 T, MD 50 T, MD 100 T FMD12T, FMD25T, FMD50T, FMD100T
Data cable	DCMD USB	2m long, USB connector	MD 12 T, MD 25 T, MD 50 T, MD 100 T FMD12T, FMD25T, FMD50T, FMD100T
Data cable	DCKMD 232	Max. 15 m, standard 2m long, SUB-D jack 9-pin/F; power supply	KMD 12 T, KMD 12 Twa, FKMD 12 T, DK 30, KMD 5 R, FKMD 5 R
Data cable	DCKMD USB	2m long, USB connector	KMD 12 T, KMD 12 Twa, FKMD 12 T, DK 30, KMD 5 R, FKMD 5 R
Battery	BCR 2032	Lithium 3V type CR 2032	For all Digital Gauges

The cable for data transmission is not included in the scope of supply of Digital Dial Gauges but has to be ordered separately.