

The electronic quickestest in modern design
and optimized ergonomics.



Kroepelin
Längenmesstechnik

Fast reading

Interactive keypad

More intuitive navigation

Less power consumption

- Quickestest in handy size
- Interactive keypad with touchsurface and vibration feedback for easier operation
- Smaller & more adjustable numerical intervals 0,001 / 0,002 / 0,005 / 0,01 / 0,02 / 0,05 mm
- Enhanced analog display for optimum reading:
 - 250° analog display range
 - long analog indicator

- Suitable for use with tablet computers and smartphones
- No additional software necessary
- Measuring programs for different applications MIN / MAX / HOLD
- Absolute and relative measurement
- Bluetooth interface (up to 8 gauges simultaneously)
- USB and Digimatic interface
- Compatible to U-Wave®, Elias, BOBE, IBR
- 20% larger data logger (100 measuring values)
- Adjustable tolerance range
- Suitable for workshop use
- Protection class IP67
- mm/inch switch
- Internal gauges are also available with 3-point contacts



חדש!!! מכשירים עם צג מחוג וספרתי יחד



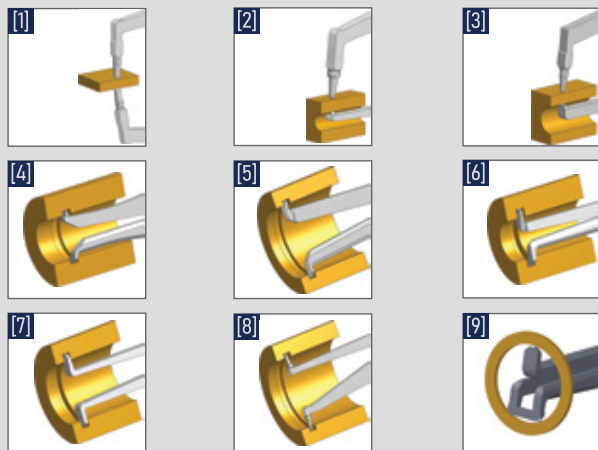
Can be connected
to any device using
Bluetooth.

WITH  **Bluetooth**
SMART

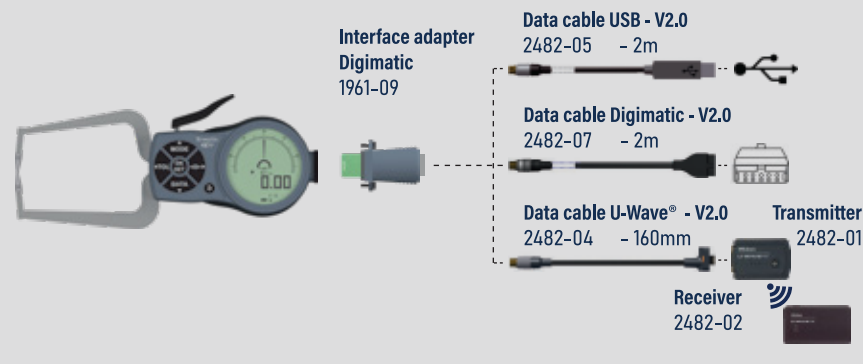
Type	Measuring span Mes [mm]	Measuring range Meb [mm]	Range of indication AzB [mm]	Numerical interval Zw [mm]	Permissible errors G [mm]	Repeatability limit r [mm]	Measuring force min. [N]	Measuring force max. [N]	Weight [g]	Protection class	Measuring contact movable Hb [mm]	Measuring contact fixed Hf [mm]	Type of measuring contact [mm]	Groove depth A max. [mm]	Groove width B min. [mm]	Measuring depth L max. [mm]	Picture	Accessories and scope of supply
K110	10	0-10	0-10,5	0,005	0,015	0,005	1,2	1,6	260	IP67	19,1	18,6	Ball Ø 1.5			35	[1]	Accessories: Wooden box [1732-65] available on request. Scope of supply: Certificate of quality Operating instructions 2x battery type AAA
K1R10	10	0-10	0-10,5	0,005	0,015	0,005	0,8	1,2	255	IP67	19,1	0,9	Ball Ø 1.5			35	[2]	
K220	20	0-20	0-20,5	0,01	0,03	0,01	1,1	1,6	300	IP67	24,7	24,6	Ball Ø 1.5			85	[1]	
K2R20	20	0-20	0-20,5	0,01	0,03	0,01	1,1	1,6	290	IP67	24,7	2,5	Ball Ø 1.5			80	[3]	
L102	10	2,5-12,5	2,4-12,8	0,005	0,015	0,005	0,8	1,2	245	IP67	0,9	0,9	Chisel R 0.1	0,7	0,4	12	[4]	
L105	10	5-15	4,7-15,3	0,005	0,015	0,005	0,8	1,2	250	IP67	2,5	2,5	Ball Ø 0.6	2,2	0,8	35	[5]	
L210	20	10-30	9,5-30,5	0,01	0,03	0,01	1,1	1,6	270	IP67	5,3	5,3	Ball Ø 1	5,0	1,7	85	[6]	
L220	20	20-40	19,5-40,5	0,01	0,03	0,01	1,1	1,6	270	IP67	7,3	7,3	Ball Ø 1	6,8	1,7	85	[7]	
L230	20	30-50	29,5-50,5	0,01	0,03	0,01	1,1	1,6	275	IP67	7,3	7,3	Ball Ø 1	6,8	1,7	85	[7]	
L240	20	40-60	39,5-60,5	0,01	0,03	0,01	1,1	1,6	285	IP67	8,5	8,5	Ball Ø 1	8,3	1,7	85	[8]	
L210P3	10	10-20	9,8-20,5	0,005	0,02	0,01	1,1	1,6	270	IP67	4,6	-	Ball Ø 1	3,5	1,7	75	[9]	
L215P3	15	15-30	14,5-30,5	0,005	0,02	0,01	1,1	1,6	295	IP67	5,8	-	Ball Ø 1	5,0	1,5	75	[9]	

The complete range is available on our website www.kroepelin.com

Measuring contacts

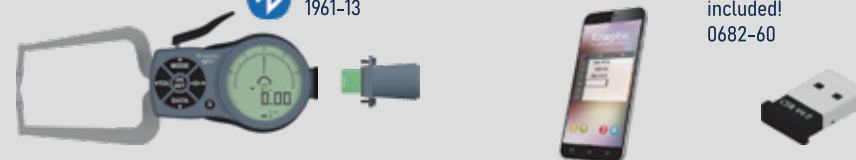


Interfaces



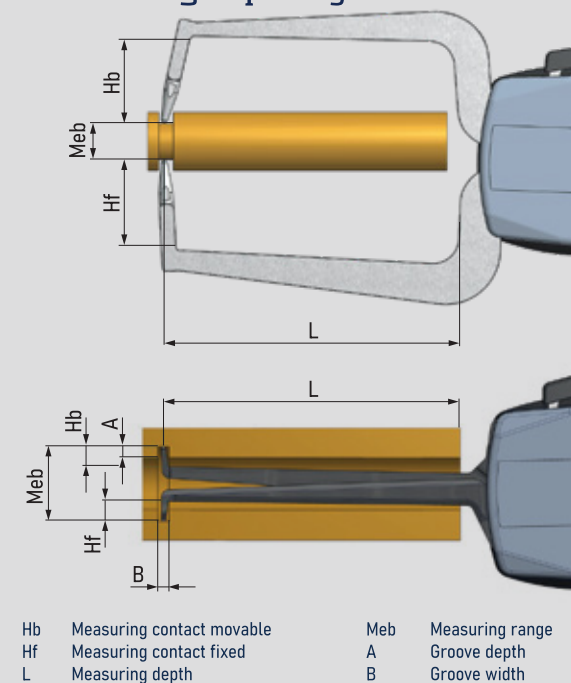
Also in combination with smartphone and tablet!

USB-Bluetooth-V4.0-dongle included!
0682-60



Simultaneous connection of up to 8 gauges possible

Measuring capacity



Hb Measuring contact movable
Hf Measuring contact fixed
L Measuring depth

Meb Measuring range
A Groove depth
B Groove width

Accessories

Holder
8007-10



Wooden box
1732-65

