



TESA measurement tools and solutions
Perfection down to the detail for every user

Valid until 31.12.2017
Prices exclude VAT
Version EN - NP

TESA MICRO HITE

Motorized or manual – the ultimate reference

With adjustable hybrid multi-user panel
(touch screen + keyboard)



SCS-certificate included: Instrument ready for
immediate use



Efficient determination of the culmination points
with the LED control light





<http://go.hexagonmi.com/MICRO-HITEvideo>

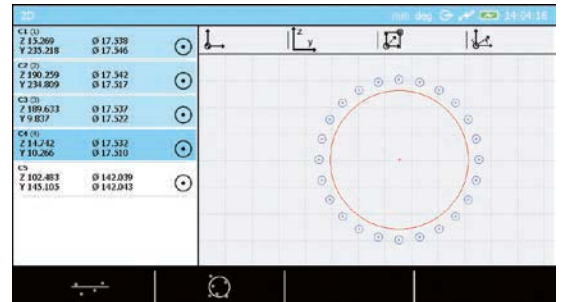


Warranty conditions on our website

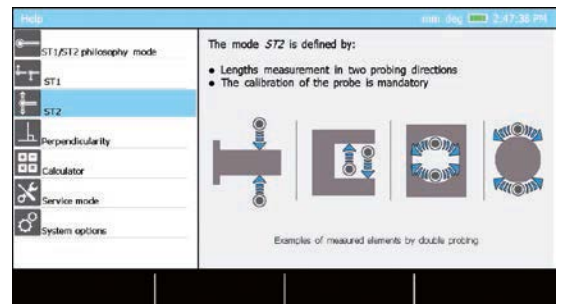
NEW!

Security thanks to the highest quality standard and 4 years of guarantee for all new TESA MICRO-HITE models

Finally, easy 2D-measurement due to clear graphic visualization



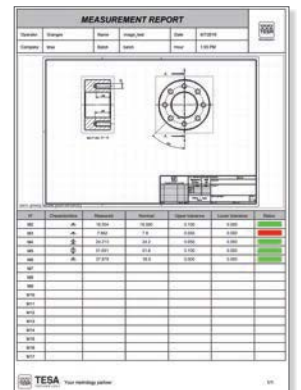
Context-based help – intelligent user follow-up



Easy data transfer to USB stick / printer / PC

NEW!

Generate a pdf measuring report directly from the programme



Order number	Designation	List price
00730073	MICRO-HITE 350 manual	
00730074	MICRO-HITE 600 manual	
00730075	MICRO-HITE 900 manual	
00730076	MICRO-HITE 350F manual, fine adjustment	
00730077	MICRO-HITE 600F manual, fine adjustment	
00730078	MICRO-HITE 900F manual, fine adjustment	
00730079	MICRO-HITE+M 350 motorized	
00730080	MICRO-HITE+M 600 motorized	
00730081	MICRO-HITE+M 900 motorized	
00760235	USB printer for MICRO-HITE	

Compatible with



TESA-HITE MAGNA THE HEIGHT GAUGE FOR HARSH CONDITIONS

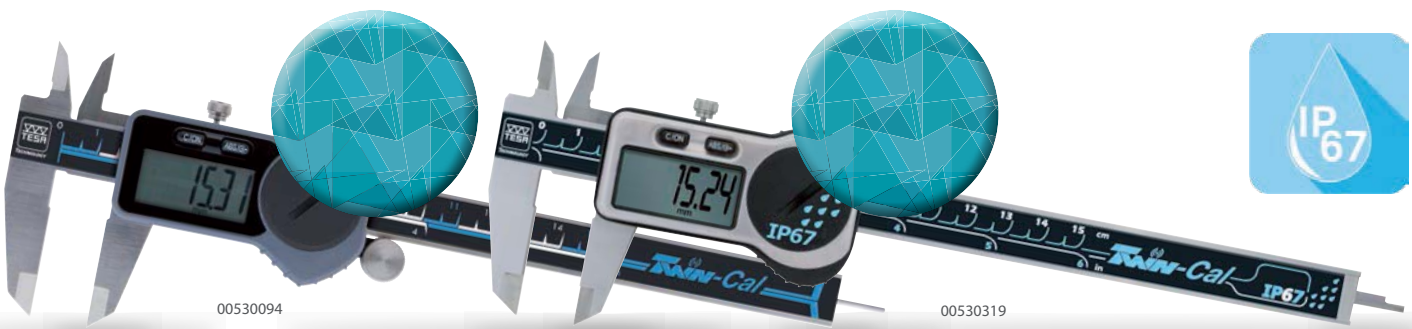
Easy-to-use height gauge designed for fast and reliable 1D measurements



00730047

00730059

Order number	Designation	Application range (mm)	Maximum permissible errors (μm)	Repeatability limit (μm)	List price	Promo price
00730047	TESA-HITE magna 400	0 ÷ 570	< 8	On flat: 2 σ < 3 Into bore: 2 σ < 5		
00730059	TESA-HITE magna 700	0 ÷ 870	< 8	On flat: 2 σ < 3 Into bore: 2 σ < 5		



00530094

00530319

TESA TWIN-CAL SYSTEM

With integrated data connection and big display for clear reading

Order number	Designation	Measuring range (mm)	Thumb roller	Depth rod	List price	Promo price
00530319	TWIN-CAL IP67	0 ÷ 150	–	■		
00530320	TWIN-CAL IP67	0 ÷ 150	–	●		
00530321	TWIN-CAL IP67	0 ÷ 150	✓	●		
00530322	TWIN-CAL IP67	0 ÷ 200	✓	■		
00530323	TWIN-CAL IP67	0 ÷ 300	✓	■		
00530094	TWIN-CAL	0 ÷ 150	✓	●		
00530097	TWIN-CAL	0 ÷ 150	–	■		
00530095	TWIN-CAL	0 ÷ 200	✓	■		
00530096	TWIN-CAL	0 ÷ 300	✓	■		

NEW!
Data collection
now possible with
Q-DAS software



TESA μ -FINDER SET 31 AND SET 22

The mobile high precision set for quality control and service in the practical transport case



04430013P1



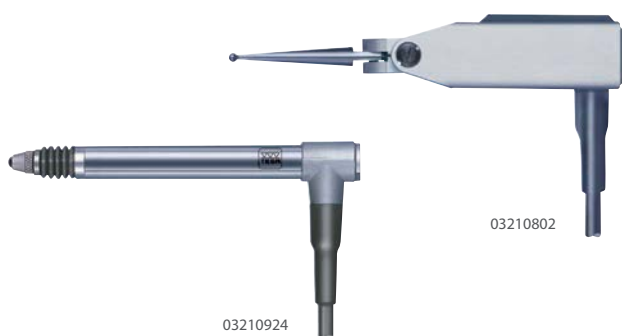
04430013P2

Order number	Designation	List price	Promo price
04430013P1	TESA μ Finder Set 31		
Contains:			
04430013	TESA TWIN-T10 display unit		
03210802	GT 31 lever probe		
01639007	Magnetic support INTERAPID UJ15		
04430013P2	TESA μ Finder Set 22		
Contains:			
04430013	TESA TWIN-T10 display unit		
03210924	GT 22 probe		
01639007	Magnetic support INTERAPID UJ15		

Order number	Designation	List price	Promo price
04430013	TESA TWIN-T10 display unit		
03210802	GT 31 lever probe $\pm 0,3$ mm		
03210904	GT 21 probe $\pm 1,0$ mm		
03210924	GT 22 probe $\pm 1,0$ mm		
01639007	Magnetic support INTERAPID UJ15		



<http://go.hexagonmi.com/TWIN-T10video>



03210802



03210904



01639007



04430013

TESA IMICRO CAPA μ SYSTEM WITH DIGITAL DISPLAY

A successful combination of the patented TESA capacitive system with the IMICRO unique cone.

Especially attractive workshop combination

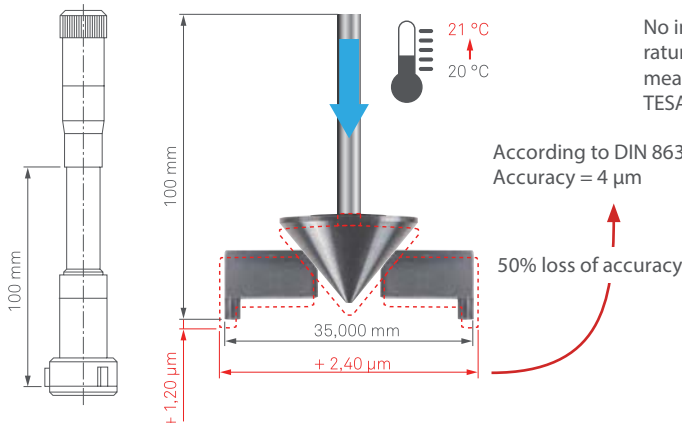


06130233

Order number	Application range (mm)	Number Measuring heads	Measuring range (mm)	Number Setting rings	Diameter (mm)	Extensions	Length (mm)	List price	Promo price
Contains:									
06130231	6 ÷ 12	06140024	6 ÷ 8	00840101	8	00840001	100		
		06140025	8 ÷ 10	00840102	10				
		06140026	10 ÷ 12						
06130232	11 ÷ 20	06140027	11 ÷ 14	00840103	11	00840301	150		
		06140028	14 ÷ 17	00840104	15				
		06140029	17 ÷ 20						
06130233	20 ÷ 40	06140030	20 ÷ 25	00840106	25	00841100	150		
		06140031	25 ÷ 30	00840107	35				
		06140032	30 ÷ 35						
		06140033	35 ÷ 40						
06130234	40 ÷ 100	06140034	40 ÷ 50	00840108	50	00841800	150		
		06140035	50 ÷ 60	00840109	70				
		06140036	60 ÷ 70	00840110	90				
		06140037	70 ÷ 80						
		06140038	80 ÷ 90						
		06140039	90 ÷ 100						

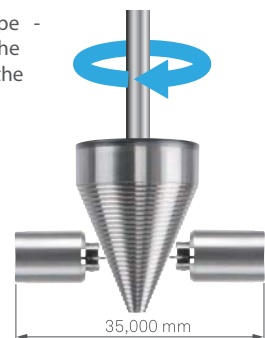
Other manufacturers

Influence of the temperature variation with internal micrometer manufactured by other manufacturers



TESA IMICRO

No influence of temperature variation on the measurement with the TESA IMICRO



TESATAST - HIGH ACCURACY AND VERY LOW MEASURING FORCE OF THE JEWELLED MOVEMENT WITH 7 RUBIES

Durability thanks to its patented shockproof system; insensitive to magnetic fields



01810005

Order number	Measuring range (mm)	Scale division (mm)	Dial (Ø mm)	List price	Promo price
01810005	0,8	0,01	28		
01810006	0,8	0,01	38		
01810007	0,5	0,01	28		
01810008	0,5	0,01	38		
01810009	0,2	0,002	28		
01810010	0,2	0,002	38		
S18001695	0,2	0,001	38		

Order number	Designation	List price	Promo price
01639055	Mini-Set: Magnetic support + TESATAST 01810005		



01639055

ACCESSORIES THAT GUARANTEE RELIABLE

Order number	Designation	List price	Promo price
01840408	Mounting Rods with Dovetail Grip ø 4 mm		
01840409	Mounting Rods with Dovetail Grip ø 8 mm		
01840404	Short swivel holder		
01840501	Centering holder		
01840407	Long swivel holder with fine adjustment		

MEASUREMENTS



<http://go.hexagonmi.com/TESATAST>



PORTABLE – ROBUST – EASY TO USE

15 mostly used roughness parameters

Order number	Designation	List price	Promo price
06930013	TESA RUGOSURF 20		
06960034	RUGOSOFT Software		
06960056	100 mm Probe extension		
04760099	Cable to PC RUGOSURF 20		



NEW!
Design

NEW!
2µm
stylus tip
radius



Delivered with 2,97µm roughness standard



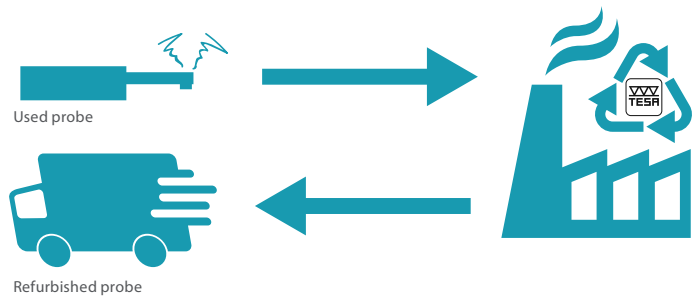
Download data and print results
NEW! Free download
Data Connection tool



<http://go.HexagonML.com/DataConnectionTool>

RUGOSURF PROBE NEEDS TO BE EXCHANGED?

Cost-effective replacement with a refurbished probe, available from stock!
Contact tesa.service@hexagon.com



Do you have questions concerning a product, special versions or metrology solutions?
The team of Swiss specialists are there for you!
tesa.service@hexagon.com / +41 (0)21 633 18 40



03-5599222 • www.streng.co.il

office@streng.co.il • 58117 חולון א.ת., 1730, ת.ד. 19, המרכבה 19

We reserve the right to make changes to our products, especially due to technical improvements and further developments. All illustrations and technical data are therefore without guarantee. All prices shown are non-binding price recommendations.