

# TESA HITS

## 2019-2

Version EN-NP

HexagonMI.com | TESAtotechnology.com



High accuracy and quality measuring instruments  
at the best prices

Prices exclude VAT

# HIGH PRECISION: ALL-ROUNDER



SCS certificate included



More info on page 7

FROM



00730084



**NEW**

For workshops



1D measurement



Manual displacements



400mm – 700mm



TLC



Included SCS certificate



## TESA-HITE RANGE

Part number	Designation	Maximum permissible errors (µm)*	Repeatability limit (µm)	Air cushion	List price	Promo price
00730082	TH MAGNA 400	8	Flat: ≤ 3, bore: ≤ 5	-		
00730083	TH MAGNA 700	8	Flat: ≤ 3, bore: ≤ 5	-		
00730084	TH 400	2,5 + 4 L/1000	Flat: ≤ 2, bore: ≤ 3	✓		
00730085	TH 700	2,5 + 4 L/1000	Flat: ≤ 2, bore: ≤ 3	✓		

\* L in mm

-  For workshops and laboratories
-  1D & 2D measurement
-  Manual or motorized displacements
-  350mm – 600mm – 900mm
-  TLC, USB, printer, pdf
-  Included SCS certificate



SCS certificate included






After registration



More info on page 7



## MICRO-HITE RANGE

Part number	Designation	Maximum permissible errors (µm)*	Repeatability limit (µm)	Fine Adjustment	List price	Promo price
 00730073	MH 350	2+2L/1000	Flat: ≤ 1; bore: ≤ 1	-		
00730074	MH 600	2+2L/1000	Flat: ≤ 1; bore: ≤ 1	-		
00730075	MH 900	2+2L/1000	Flat: ≤ 1; bore: ≤ 1	-		
 00730076	MH 350F	2+2L/1000	Flat: ≤ 1; bore: ≤ 1	✓		
00730077	MH 600F	2+2L/1000	Flat: ≤ 1; bore: ≤ 1	✓		
00730078	MH 900F	2+2L/1000	Flat: ≤ 1; bore: ≤ 1	✓		
 00730079	MH +M 350	1,8+2L/1000	Flat: ≤ 0,5; bore: ≤ 1	-		
00730080	MH +M 600	1,8+2L/1000	Flat: ≤ 0,5; bore: ≤ 1	-		
00730081	MH +M 900	1,8+2L/1000	Flat: ≤ 0,5; bore: ≤ 1	-		

\* L in mm



# SEARCHING THE $\mu\text{m}$

## TESA $\mu$ -HITE

The ultra compact turnkey solution for the product line

Need a "turnkey solution"?

With its application range of 100 mm, this measuring station for workshops and laboratories is particularly suitable for measuring small parts.

Installed quickly, its high accuracy ( $1 \mu\text{m}$ ) not only matches the most powerful height gauges, but also 1D probes, which are often expensive to install and less flexible in terms of application.

**HIGH ACCURACY**



SCS certificate included



More info on page 7

00730503

## TESA $\mu$ -HITE RETROFIT KIT

Do you already have a TESA  $\mu$ -HITE measuring station?

You can now benefit from the many new features!

With this special retrofit kit, you can easily improve the performance of your instrument.

It makes most of the multiple functions embedded in the MICRO-HITE height gauge range accessible and allows you to simplify and accelerate your measurement processes and manage your data more efficiently.



00730504

Part number	Designation	Maximum permissible errors ( $\mu\text{m}$ )	Repeatability limit ( $\mu\text{m}$ )	List price	Promo price
00730503	TESA $\mu$ -HITE	Axial: 1 - offset: 2	Axial: 0,5 - offset: 1		
00730504	TESA $\mu$ -HITE retrofit kit				



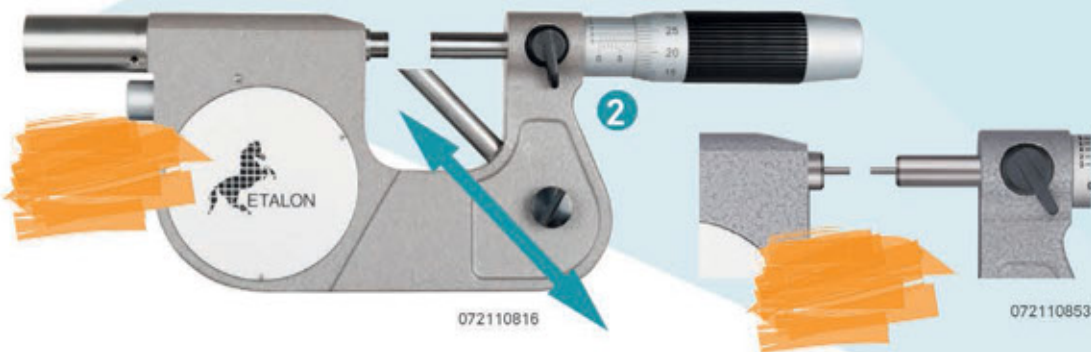
APPLICATION EXAMPLE

## TESA MICROSPEL 280

Part number	Designation	Measuring range (mm)	Inserts type	List price	Promo price
072110816	TESA MICROSPEL 280	0 ÷ 25	Standard		
072110853	TESA MICROSPEL 280 with small measuring faces	0 ÷ 20	Pointed		
00160201	Micrometer stand				



00160201



072110816

072110853



More info on page 7

## TESA μ-FINDER SETS

Part number	Designation	List price	Promo price
04430013P1	TESA μ-Finder set with GT31 probe		
04430013P2	TESA μ-Finder set with GT22 probe		



GT31

GT22



04430013P2

# INTERNAL & EXTERNAL MEASUREMENT

**NEW**



00530140



00530094

00530319

## DIGITAL CALIPERS

Part number	Designation	Measuring range (mm)	Thumb roller	Depth rod	Data transmission	List price	Promo price
00530094	TWIN-CAL	0 ÷ 150	✓	●	✓		
00530097	TWIN-CAL	0 ÷ 150	–	■	✓		
00530319	TWIN-CAL IP67	0 ÷ 150	–	■	✓		
00530320	TWIN-CAL IP67	0 ÷ 150	–	●	✓		
00530321	TWIN-CAL IP67	0 ÷ 150	✓	●	✓		
00530140	TESA-CAL IP67	0 ÷ 150	–	■	–		
00530141	TESA-CAL IP67	0 ÷ 150	–	●	–		
00530142	TESA-CAL IP67	0 ÷ 200	✓	■	–		
00530143	TESA-CAL IP67	0 ÷ 300	✓	■	–		



More info on page 7



**3,5 ÷ 200mm**

## TESA DIGITAL IMICRO SETS

Part number	Application range (mm)	List price	Promo price
06130220	3,5 ÷ 6,5		
06130221	6 ÷ 12		
06130222	11 ÷ 20		
06130223	20 ÷ 40		
06130224	40 ÷ 100		
06130225	100 ÷ 200		



06130223



More info below



## THE TESA CONNECTIVITY SOLUTION

Part number	Designation	List price
04760183	Starter kit TLC-BLE: Bluetooth® emitter + USB dongle receiver + 1,5 m extension cable	
04760184	TESA TLC-BLE Emitter	
04760185	USB dongle receiver + 1,5 m extension cable	
04760178	Cable adaptor OPTO-TLC	

You can buy a single starter kit (the dongle can be used to connect up to 8 instruments)

Instrument	Page	Output type	Connectivity solution
TWIN-CAL IP67 & TWIN-CAL	6	TLC	*
TESA μ-HITE	4	TLC	*
TESA-HITE & TESA-HITE MAGNA	2	TLC	*
TESA MICRO-HITE & MICRO-HITE +M	3	TLC	*
TWIN-T10 (μ-FINDER SET)	5	TLC	*
TESA IMICRO CAPA μ SYSTEM	7	OPTO-RS232	**

\* TLC-BLE Starter Kit or TLC-BLE emitter

\*\* TLC-BLE Starter Kit or TLC-BLE emitter + Cable adaptor OPTO-TLC

This product is only available in countries where it is officially certified. Visit our website to know the list of countries in which the TESA TLC-BLE wireless Bluetooth® emitter is available.



## TESA DATA-VIEWER



TESA DATA-VIEWER

# INCLINATION MEASUREMENT



## TESA CLINOBEVEL 3 INCLINOMETER

±60°

Robust and easy to use, the TESA CLINOBEVEL 3 is a top of the range portable precision inclinometer, it's available in aluminium or cast iron

Part number	Designation	Measuring range (deg)	Resolution (mm/m)	Weight (kg)	List price	Promo price
05330210	TESA CLINOBEVEL 3 60 DEG IRON	± 60°	0,025	3,45		
05330211	TESA CLINOBEVEL 3 60 DEG ALU	± 60°	0,025	1,5		
05330212	TESA CLINOBEVEL 3 10 DEG IRON	± 10°	0,010	3,45		
05330213	TESA CLINOBEVEL 3 10 DEG ALU	± 10°	0,010	1,5		
05330214	TESA CLINOBEVEL 3 1 DEG IRON	± 1°	0,005	3,45		

Download the product info



CAST IRON MODEL, RUST PROTECTED



05330210

ALUMINIUM MODEL, BLACK ANODISED



05330211



03-5599222 • [www.streng.co.il](http://www.streng.co.il)

office@streng.co.il • 58117 חולון א.ת., 1730, ת.ד. 19, המרכבה 19

We reserve the right to make changes to our products, especially due to technical improvements and further developments. All illustrations and technical data are therefore without guarantee. All prices shown are non-binding price recommendations.