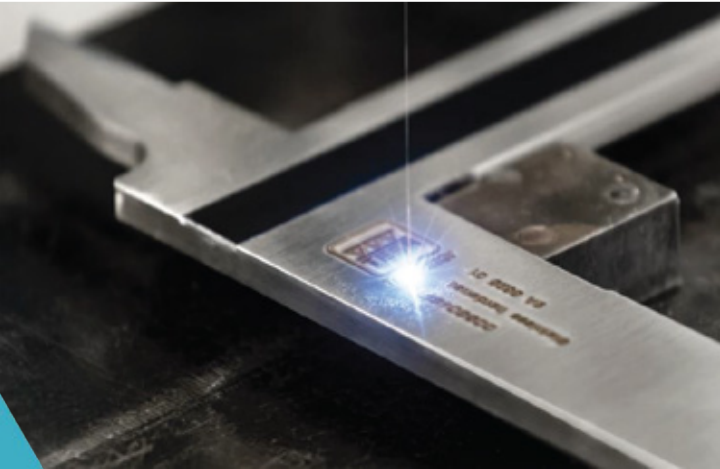
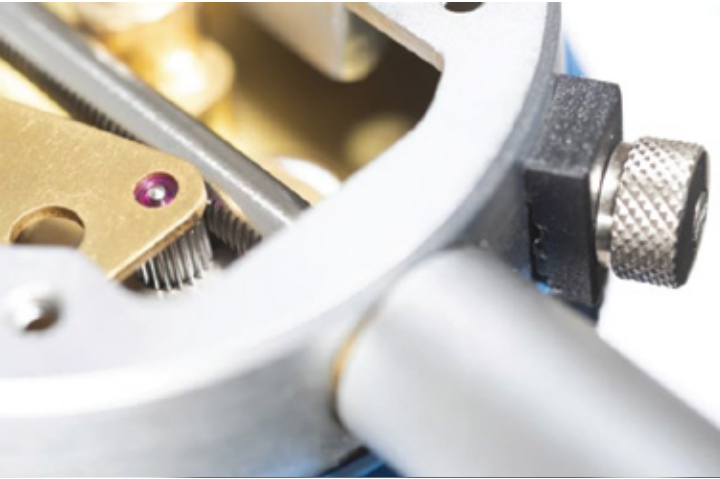


TESA QUICK DEALS 2019-1



יבואנים ומשווקים של TESA בישראל

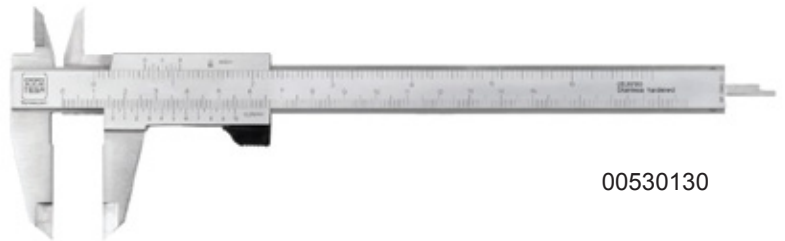


פתרונות מדידה
03-5599222 · www.streng.co.il

רח' המרכבה 19, ת.ד. 1730, א.ת. חולון 58117 · office@streng.co.il

UNIVERSAL VERNIER CALIPERS

- TESA self-locking, with parallax-free readout models
- With square depth rod
- DIN 862



00530130

Part Number	Description	Reading	מחיר מבצע
-------------	-------------	---------	-----------

TESA Models

00530130	TESA 150 mm / 6" SQ	0,05 mm / 1 /128 in	₪ 243
00530131	TESA 150 mm / 6" SQ	0,02 mm / 0.001 in	₪ 243

*המחירים לא כוללים מע"מ

- ETALON standard models
- With square depth rod
- DIN 862



00539103

Part Number	Description	Reading	מחיר מבצע
-------------	-------------	---------	-----------

ETALON Models

00539104	ETALON 200 mm / 8" SQ	0,05 mm / 1/128 in	₪ 195
00539105	ETALON 300 mm / 12"	0,05 mm / 1/128 in	₪ 403
00539111	ETALON 200 mm / 8" SQ	0,02 mm / 0.001 in	₪ 266
00539112	ETALON 300 mm / 12"	0,02 mm / 0.001 in	₪ 539

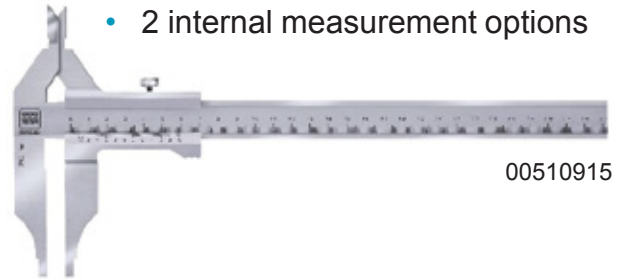
*המחירים לא כוללים מע"מ

CALIPERS WITH SPECIAL DESIGN



- For hard-to-reach measurements

00510912



- 2 internal measurement options

00510915



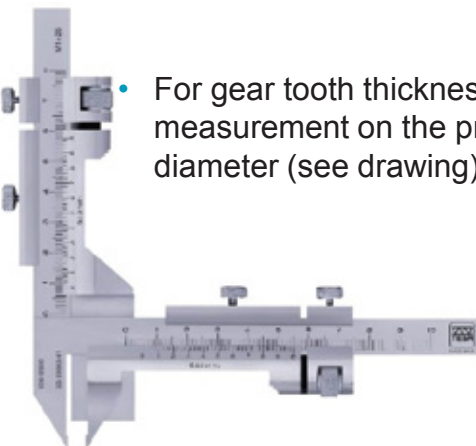
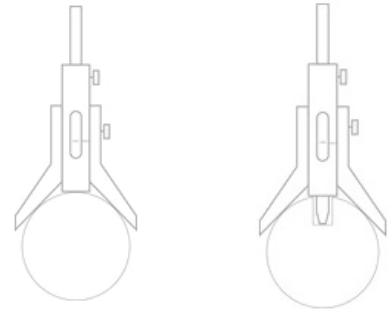
- For groove diameter measurement

08510371



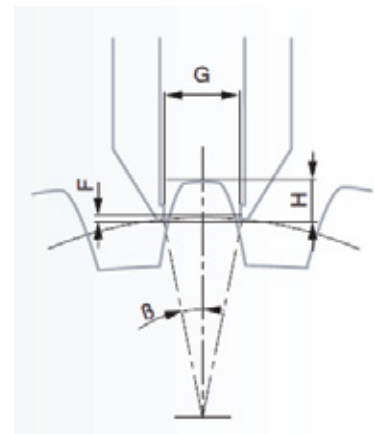
- For groove depth measurement on cylinders of \varnothing 19-120 mm (see drawings)

00512016



- For gear tooth thickness measurement on the primary diameter (see drawing)

00512300



Part Number	Description	Measuring range	Reading	מחיר מבצע
00510912	With hook jaws for external dimensions	0 ÷ 250 mm	0,05 mm	₪ 1764
00510915	With knife-edge jaws for internal dimensions	0 ÷ 250 mm	0,02 mm	₪ 1462
00512016	Vernier models with vee bridge	0 ÷ 80 mm	0,05 mm	₪ 870
00512300	For gear teeth	1 ÷ 26 mm	0,02 mm	₪ 2356

CALIPERS IN LIGHT ALLOY

- 0,01 mm reading
- With titanium nitride (TiN) coated measuring faces



00590052

Part Number	Description	Measuring range	מחיר מבצע
00590053	INTERAPID	0 ÷ 200 mm	₪ 1214
00590054	INTERAPID	0 ÷ 300 mm	₪ 1421

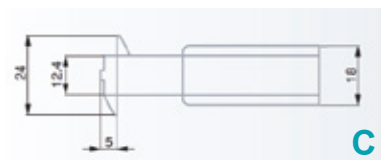
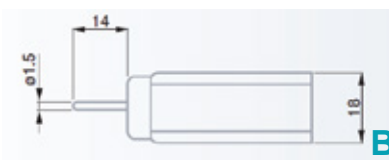
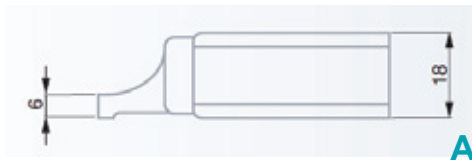
*המחירים לא כוללים מע"מ

DEPTH CALIPERS IN LIGHT ALLOY

- 0,01 mm reading
- Optional removable bridge 180 mm (00560087)



00590058



Part Number	Description	Measuring face	Measuring range	מחיר מבצע
00590056	With steel tip	B	0 ÷ 200 mm	₪ 2143
00590057	With two fixed measuring jaws	C	0 ÷ 200 mm	₪ 2356
00590059	With steel tip	B	0 ÷ 300 mm	₪ 2250
00590060	With two fixed measuring jaws	C	0 ÷ 300 mm	₪ 2457

*המחירים לא כוללים מע"מ

ETALON BASIC WITH 7 PAIRS OF EXCHANGEABLE INSERTS

- Non-rotating spindle 8mm
- Maximum permissible errors of the micrometer 4µm
- Each set incl. 7 pairs of measuring inserts
 - Flat: Ø 6,5 mm, Ø 2 mm, Ø 12 mm
 - Spherical: R = 5 mm
 - Narrow, flat: 0,7 mm
 - Cone-shaped: Ø 0,3 mm / 60°
 - Knife-edged: 0,3 mm / 60°



Part Number	Measuring range	Resolution	מחיר מבצע
00219056	0 ÷ 25 mm	0,01 mm	₪ 1220
00219058	25 ÷ 50 mm	0,01 mm	₪ 1356
00219062	75 ÷ 100 mm	0,01 mm	₪ 1693

*המחירים לא כוללים מע"מ

MICROMETER HEADS

- Without spindle lock – Non-rotating spindle



00219064

Part Number	Description	Measuring range	Resolution	מחיר מבצע
00219064	Micrometer head	0 ÷ 25 mm	0,01 mm	₪ 604
00219065	Micrometer head	0 ÷ 25 mm	0,002 mm	₪ 675

*המחירים לא כוללים מע"מ

ELECTRONIC AND DIAL INDICATORS

- Robust dial gauge with great price/performance ratio
- Possible entry of limit values for classification through colour LEDs: green for “Good”, red for “Scrap”, amber for “Rework”.



01419151



01930104



Part Number	Measuring range	Reading/diameter	מחיר מבצע
01419151	1 mm	0,001 mm / 58 mm	₪ 332
01930104	12,5 mm	0,001 mm / 60 mm	₪ 2581

*המחירים לא כוללים מע"מ

VERNIER SCRIBING GAUGE

- Parallax-free readout

Part Number	Measuring range	Reading	מחיר מבצע
07719013	0 ÷ 1000 mm	0,02 mm	₪ 10,774

*המחירים לא כוללים מע"מ



07719013

TESA SPACER 200

- Compact and simple instrument for distance measurement
- Measuring range up to 200 m
- Shortcut keys for addition, subtraction, surface and volume calculations
- Built-in view finder, 2x magnification
- Integrated spirit level
- Illuminated display



Part Number	Laser range	Precision	מחיר מבצע
01130020	0,05 ÷ 200 m	± 2 mm	₪ 980

*המחירים לא כוללים מע"מ



01130020



פתרונות מדידה

שטרנג אבי
 ציוד טכני בע"מ



03-5599222 • www.streng.co.il

רח' המרכבה 19, ת.ד. 1730, א.ת. חולון 58117 • office@streng.co.il